

Graph the inequality.

1) $x - y > -4$

2) $x + y < -6$

3) $-2x - 3y \leq 6$

4) $x > -2$

5) $y \leq -5$

6) $x^2 + y^2 \leq 9$

7) $y > x^2 - 7$

Graph the solution set of the system of inequalities or indicate that the system has no solution.

8) $y < -x + 5$
 $y > 2x - 3$

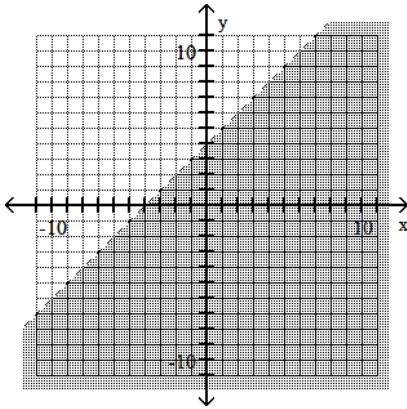
9) $3x - y \leq -6$
 $x + 3y \geq 6$

10) $x + 2y \geq 2$
 $x - y \leq 0$

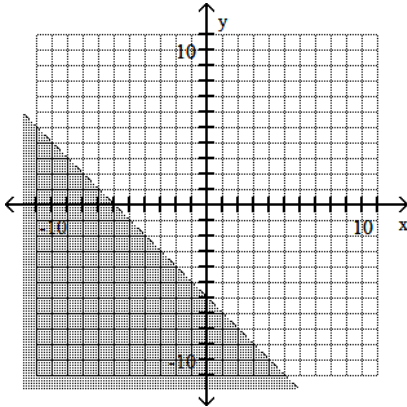
Answer Key

Testname: PRACTICE20

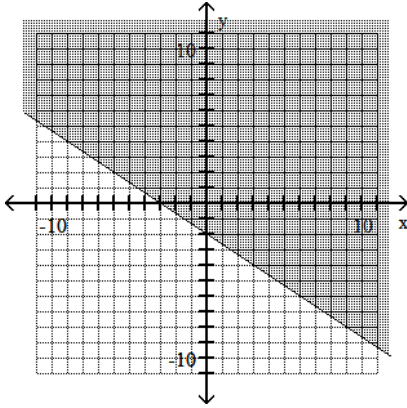
1)



2)



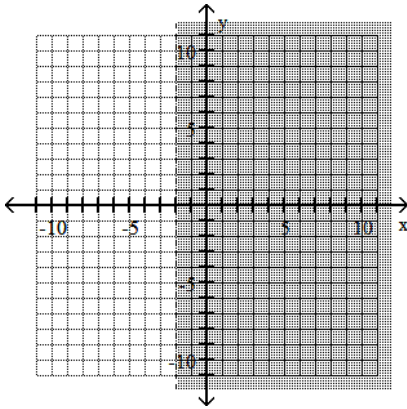
3)



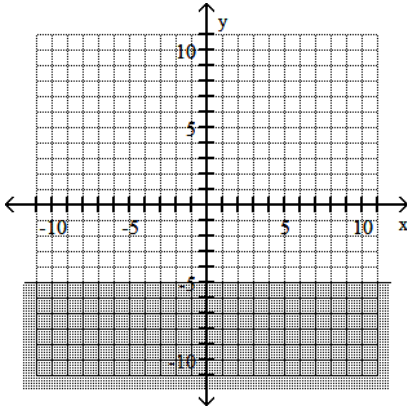
Answer Key

Testname: PRACTICE20

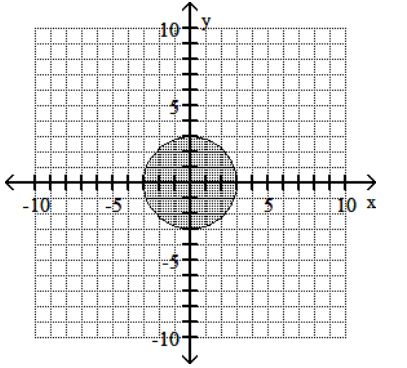
4)



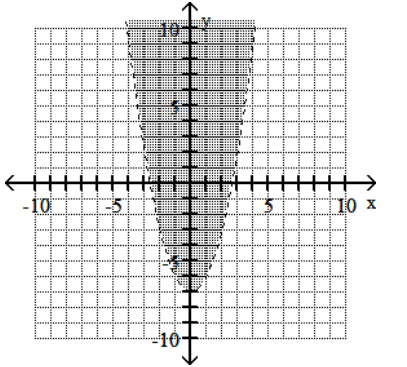
5)



6)



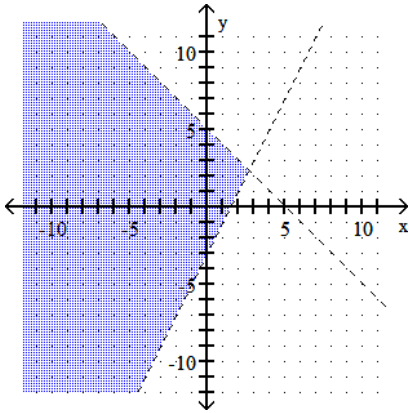
7)



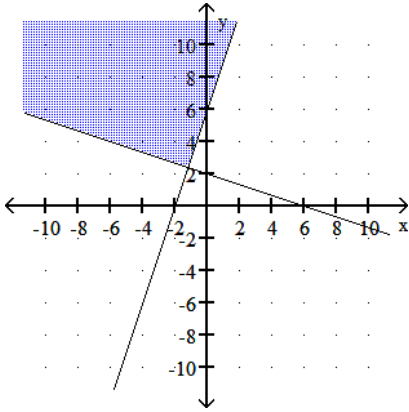
Answer Key

Testname: PRACTICE20

8)



9)



10)

